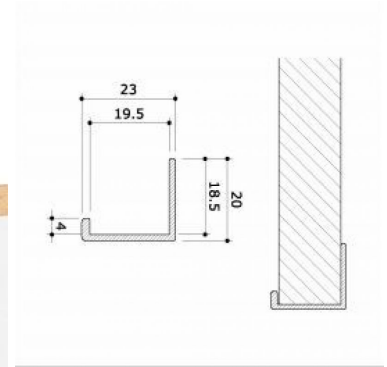




Angles for grooved aluminium panels 10.34 €Ex VAT

Slatwall and fittings



FEATURES

Brand	Mobilier shopping
Base	
Fitting	
Color	Gris
Ref	cor-pou-pan-4120
ID	4120
Delivery schedule	1-5 working days
Category	Slatwall and fittings
Type	Store furniture

DETAIL

At Mannequins Shopping, we specialise in store fittings and offer a comprehensive range of solutions to help retailers display their wares to best effect. Our expertise covers various aspects of store fittings, ensuring your products are presented impeccably and attractively. We offer a wide selection of store fitting accessories to meet all your fitting needs.

- Window mannequins: A diverse range of mannequins to present your garments in a realistic and captivating way.
- Wooden hangers: Elegant, sturdy hangers to sublimate your garments and add a touch of sophistication to your presentation.
- Professional lighting: Lighting solutions designed to showcase your products and create a welcoming atmosphere in your shop.

DESCRIPTION

Edge Finishing - Flat, H=1200 mm, Anodised AluThe **Edge Finisher** is the perfect accessory to complete your shop's fitting. Ideal for finishing the side of a slatted wall, this shop fitting is made from high quality aluminium. The price quoted is per length, offering an economical and effective solution for all your **store fitting accessories** needs.

- Material: Made from aluminium for increased durability and strength.
- Finish: Anodised aluminium for a stylish and professional appearance.
- Dimensions: Height of 1200 mm, ideal for a neat finish to slatted walls.

Angles for grooved aluminium panels

Slatwall and fittings - Photo n° 1



FEATURES

Brand	Mobilier shopping
Base Fitting	
Color	Gris
Ref ID	cor-pou-pan-4120 4120
Delivery schedule	1-5 working days
Category	Slatwall and fittings
Type	Store furniture

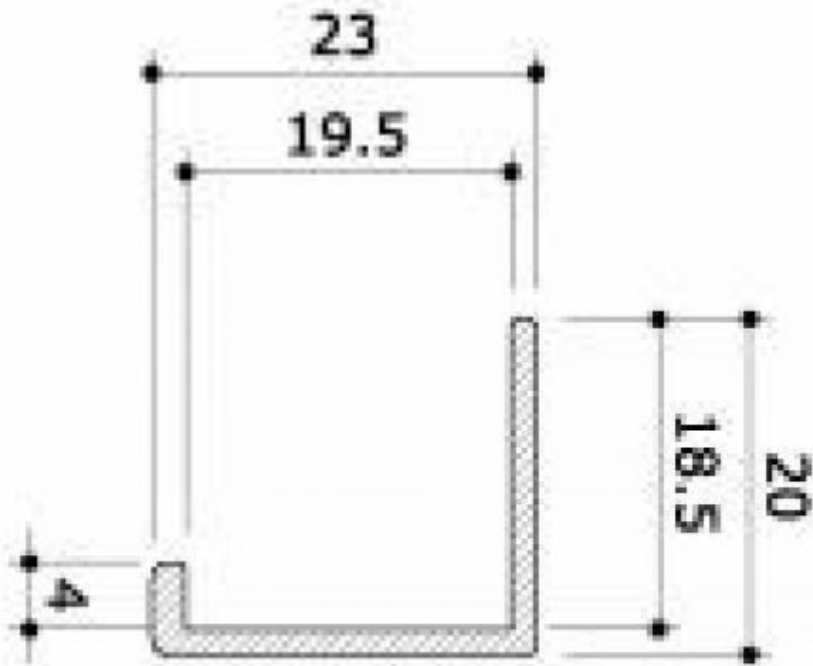
DETAIL

At Mannequins Shopping, we specialise in store fittings and offer a comprehensive range of solutions to help retailers display their wares to best effect. Our expertise covers various aspects of store fittings, ensuring your products are presented impeccably and attractively. We offer a wide selection of store fitting accessories to meet all your fitting needs.

- Window mannequins: A diverse range of mannequins to present your garments in a realistic and captivating way.
- Wooden hangers: Elegant, sturdy hangers to sublimate your garments and add a touch of sophistication to your presentation.
- Professional lighting: Lighting solutions designed to showcase your products and create a welcoming atmosphere in your shop.
- Shelf supports: High-quality shelf supports, available in a range of sizes and finishes, to maximise the use of space and organise your items aesthetically.
- Grooved panels: Ideal for making the most of wall space and displaying your products in a flexible, modular way.

Angles for grooved aluminium panels

Slatwall and fittings - Photo n° 2



FEATURES

Brand	Mobilier shopping
Base Fitting	
Color	Gris
Ref ID	cor-pou-pan-4120 4120
Delivery schedule	1-5 working days
Category	Slatwall and fittings
Type	Store furniture

DETAIL

At Mannequins Shopping, we specialise in store fittings and offer a comprehensive range of solutions to help retailers display their wares to best effect. Our expertise covers various aspects of store fittings, ensuring your products are presented impeccably and attractively. We offer a wide selection of store fitting accessories to meet all your fitting needs.

- **Window mannequins:** A diverse range of mannequins to present your garments in a realistic and captivating way.
- **Wooden hangers:** Elegant, sturdy hangers to sublimate your garments and add a touch of sophistication to your presentation.
- **Professional lighting:** Lighting solutions designed to showcase your products and create a welcoming atmosphere in your shop.
- **Shelf supports:** High-quality shelf supports, available in a range of sizes and finishes, to maximise the use of space and organise your items aesthetically.
- **Grooved panels:** Ideal for making the most of wall space and displaying your products in a flexible, modular way.